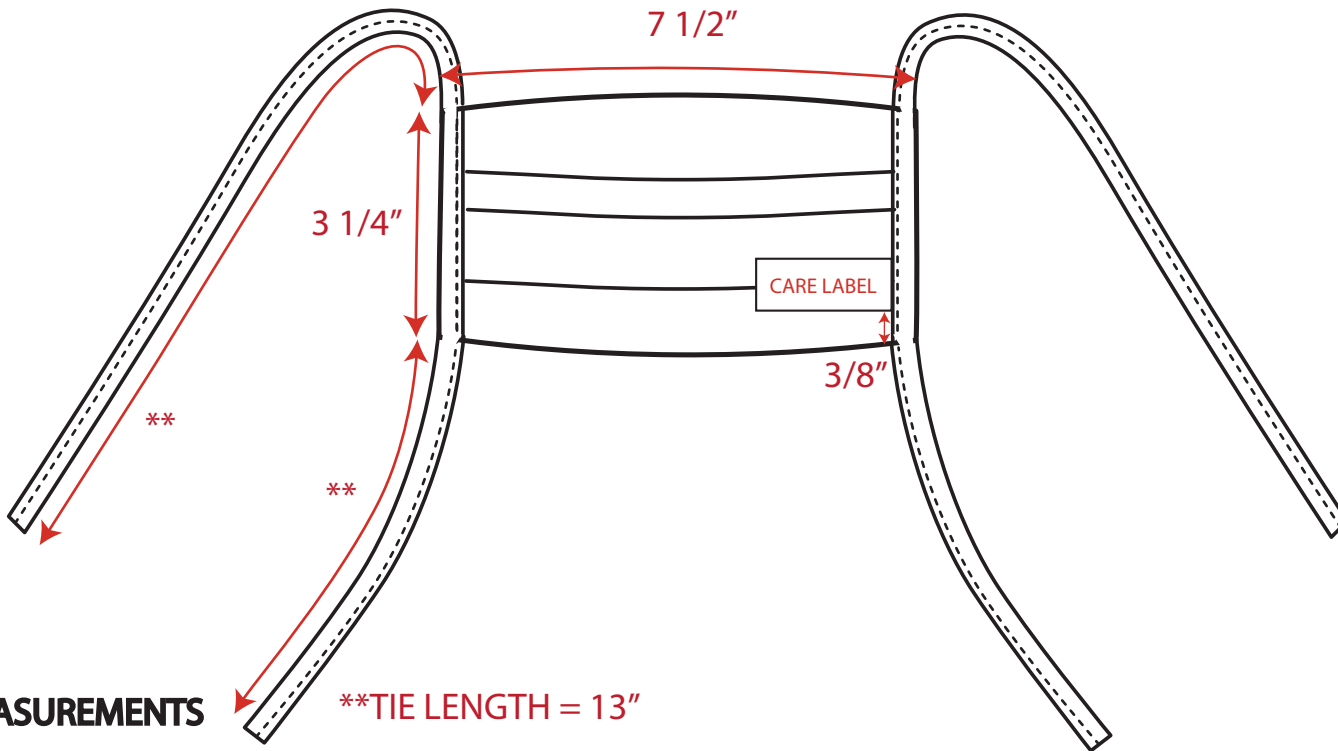
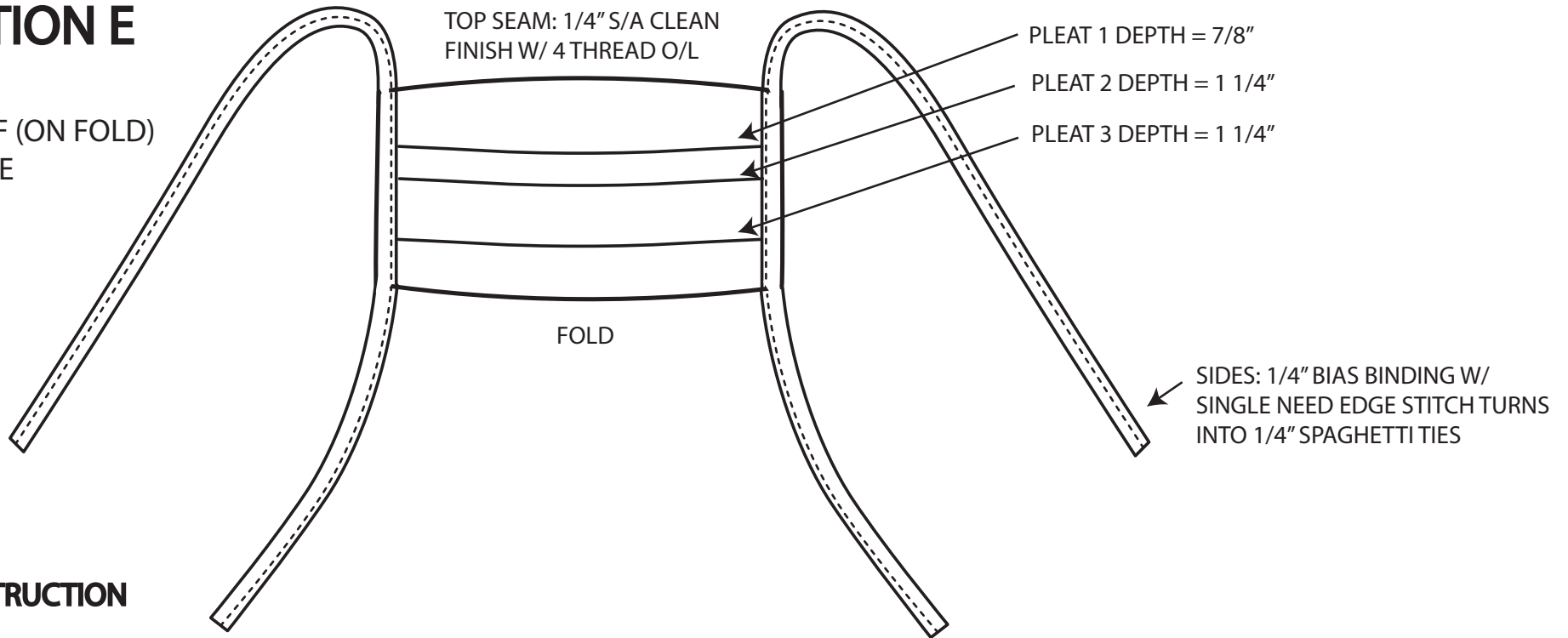


OPTION E

1 SELF (ON FOLD)
1 FUSE



FABRICATION:

- #1- Eco cavalry twill - 100% tencel (237 gsm)
- #2- Eco crepe - 100% rayon (155-160 gsm)
- #3- Eco challis - 100% tencel (158 gsm)
- #4- Eco fine twill shirting - 100% tencel (130 gsm)

*Light Fusing CX10 - 100% polyester (23 gsm)

TRIMS:

- *1 1/4" x 60" bias cut self for 1/4" binding/ties

CARE LABEL:

*Set in binding 3/8" from bottom edge